

Pac-man Ticket Mania Instructions for Replacing Ticket Door with Gift Card Dispenser

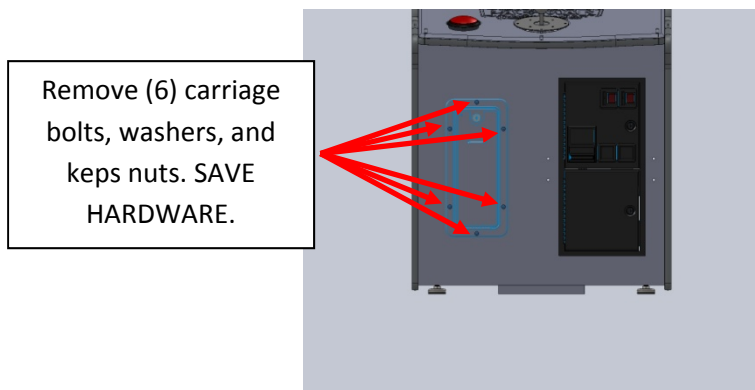
(Important Notice: Turn OFF and unplug AC power to unit before you begin.)

Tools Required:

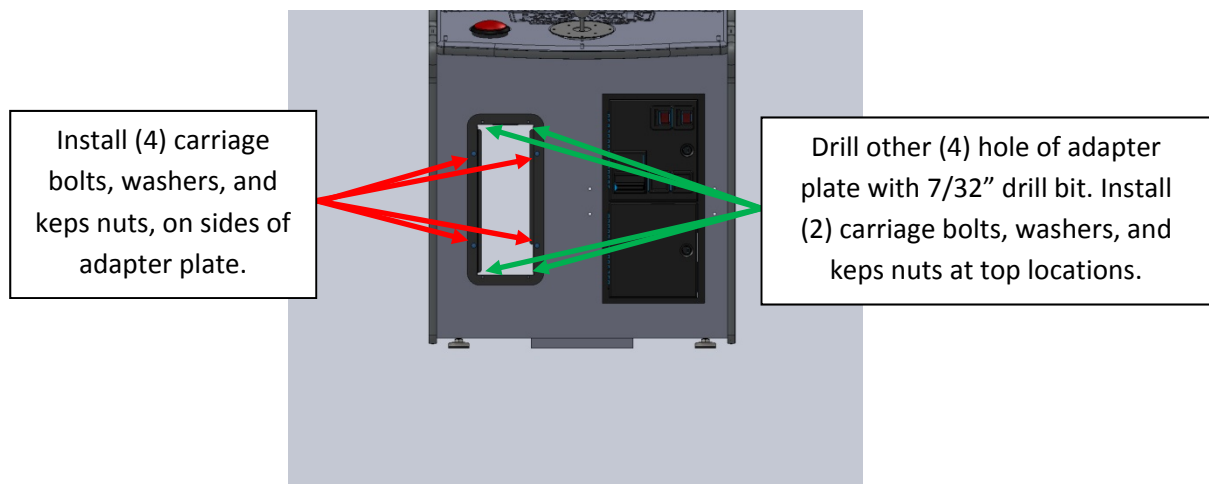
11/32" & 3/8" socket wrench

Power drill and 7/32" drill bit

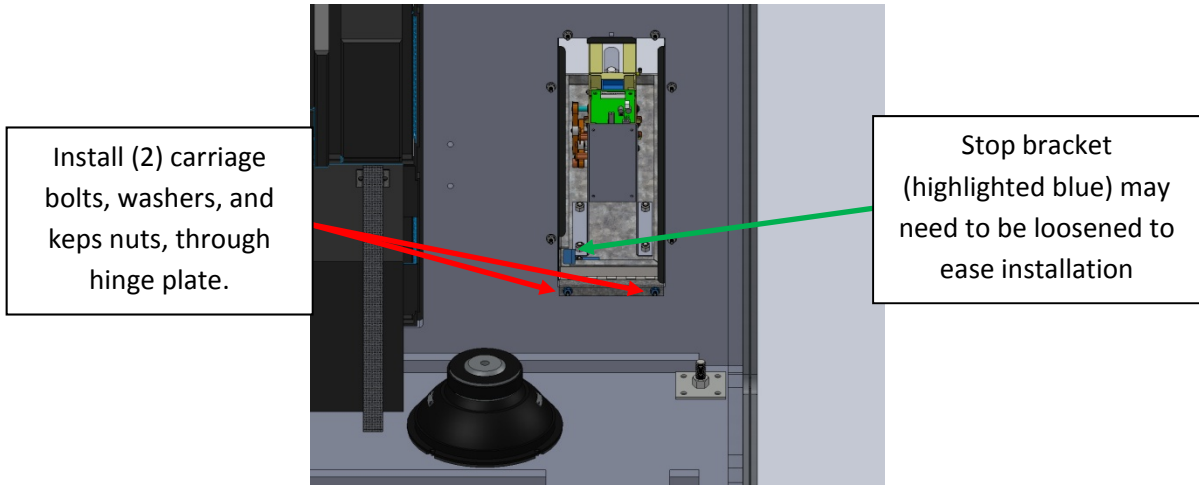
1. Open ticket door to gain access to the mounting hardware for the ticket door. Use 3/8" socket wrench to remove (6) keps nuts and accompanying carriage bolts and washers (save the hardware). Take note of any ground wires that are removed as you remove the bolts as these will need to be reattached when the gift card dispenser adapter plate is installed. Remove the ticket dispenser harness from door and then remove the ticket door.



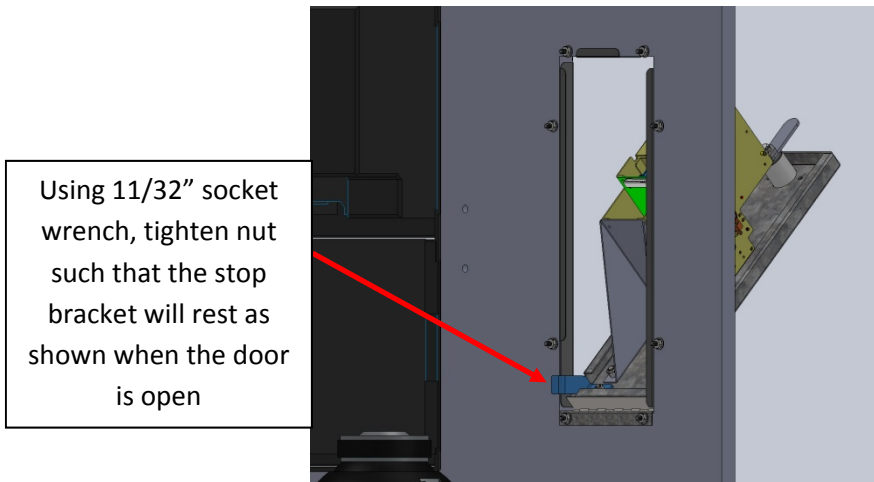
2. Install card dispenser adapter plate: install (4) carriage bolts, washers and keps lock nuts (2 on each side of plate) on matching holes already on the cabinet using 3/8" socket wrench (reattach the ground wire that was previously removed). Drill holes for the other (4) mounting locations using a 7/32" drill bit. Install carriage bolts, washers and keps lock nuts for the (2) top plate mounting locations.



3. Install card dispenser door by first installing the carriage bolts through the holes that were drilled at the bottom of the adapter plate and then sliding the hinge for the door over the bolts on the inside of the cabinet. Complete the install by securing the (2) keps lock nuts and washers on the carriage bolts. *Note: Make sure the ground ring terminal is re-attached to the door frame.*

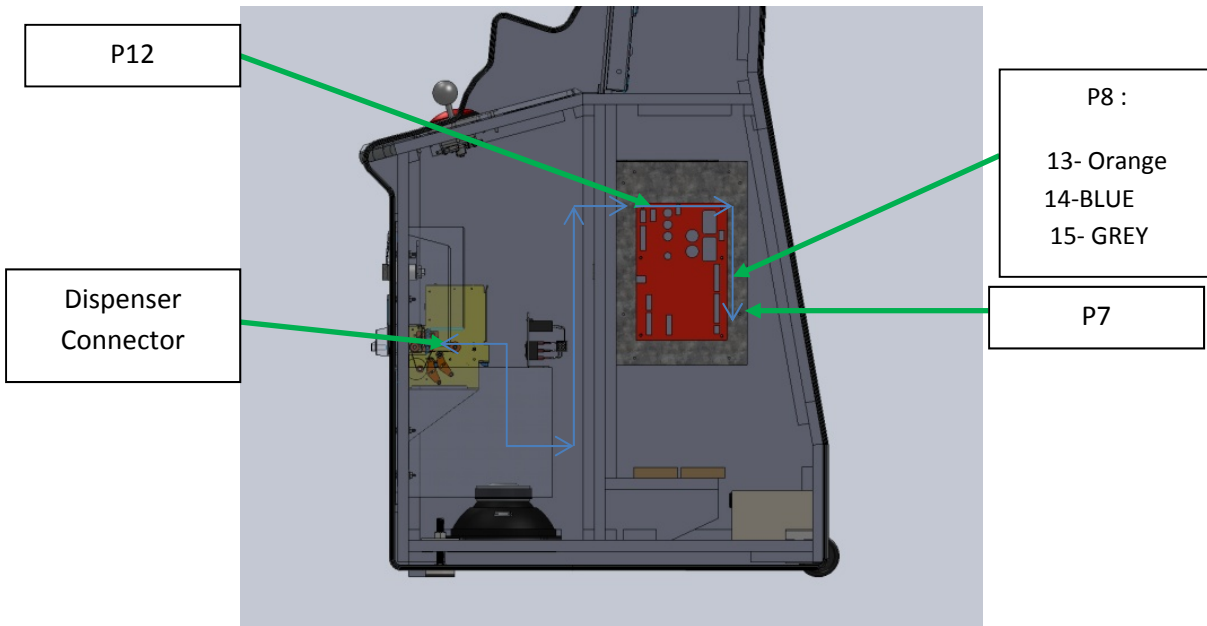


4. Using 11/32" socket wrench, set the placement of the stop bracket on the inside of the card dispenser door after it has been properly mounted. Stop bracket's purposes is to limit the travel of the door when it is opened, by colliding with inside front panel as is shown in the below figure. The nut must be properly tightened once position of stop bracket is determined.



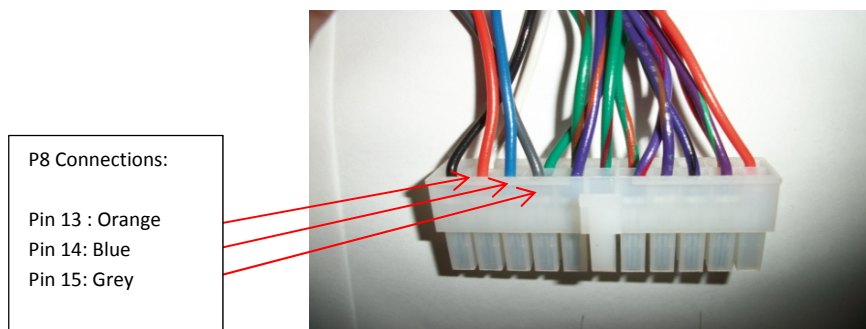
Install Card Dispenser Harness

Note: There are a total of 6 connections required. Three of the connections require pin terminal insertions. Use care and don't force the pins into the connector. This is best done under good lighting condition.



Card Dispenser and RIO PCB Connection and Harness Routing

5. Locate the connector labeled "Card Dispenser" on the kit harness and connect to card dispenser harness.
6. Route the harness through the card dispenser door such that it runs approximately as indicated by the blue arrows on the illustration above. The harness can be secured after all the connections are made.
7. Locate the connector labeled "P12" on the kit harness and connect to RIO connector P12. Refer to illustration for location on PCB.
8. Locate 3 terminated leads labeled "P8: 13,14 &15". Visually inspect the terminals to make sure they are not damaged. Disconnect connector "P8" from the RIO PCB and insert the leads into its designated positions – as labeled. See picture below for closer look.
9. Locate the connector labeled "P7" on the kit harness and connect to RIO connector "P7". Refer to illustration for location on PCB.



10. Secure the harness wires using the existing cable clamps on the RIO mounting plate.
11. Check for harness dispenser door clearance and make sure that the harness has ample slack such that it is not stressed when dispenser door in open. Use the cable ties provided to secure harness as needed.

End of Card Dispenser Install Procedure

Install Software and Make Adjustments

Software with Card Dispenser support is available for download. Contact Raw Thrills with any questions.

After downloading and installing software:

1. Enter the test menu and go to the ***Payout Adjustments Menu***
2. Select the ***Card Dispenser*** option and turn it on
3. Select the ***Card Value*** option and select the value of the gift cards that will be used
4. Select the ***Payout Percent*** option and set it to the desired payout

If you want to display custom images:

5. Select the ***Load Custom Card Images*** option and follow the instructions in that menu
6. Once the image(s) are successfully loaded, set the ***Card Display*** option to custom

=====
Kit Contents:

- (1) Installation Instructions Sheet
- (1) Card Dispenser Adapter Plate – P/N: 600-01114-01
- (1) Card Dispenser Door Assy – incl.
 - Main Door – P/N: 608-00165-01
 - Dispenser Mounting Plate – P/N: 600-01115-01
 - Dispenser Mech – P/N: 800-00046-00
 - Stop Bracket – P/N: 600-01116-01
 - T-Handle Lock Assy & Door Hardware
- (1) Dispenser Harness
- (1) Key for Lock
- (2) Black Carriage Bolts (10-24 x 1 ¼")
- (2) #10 Flat Washers
- (2) 10-24 Keps Lock Nuts
- (4) Wire Ties